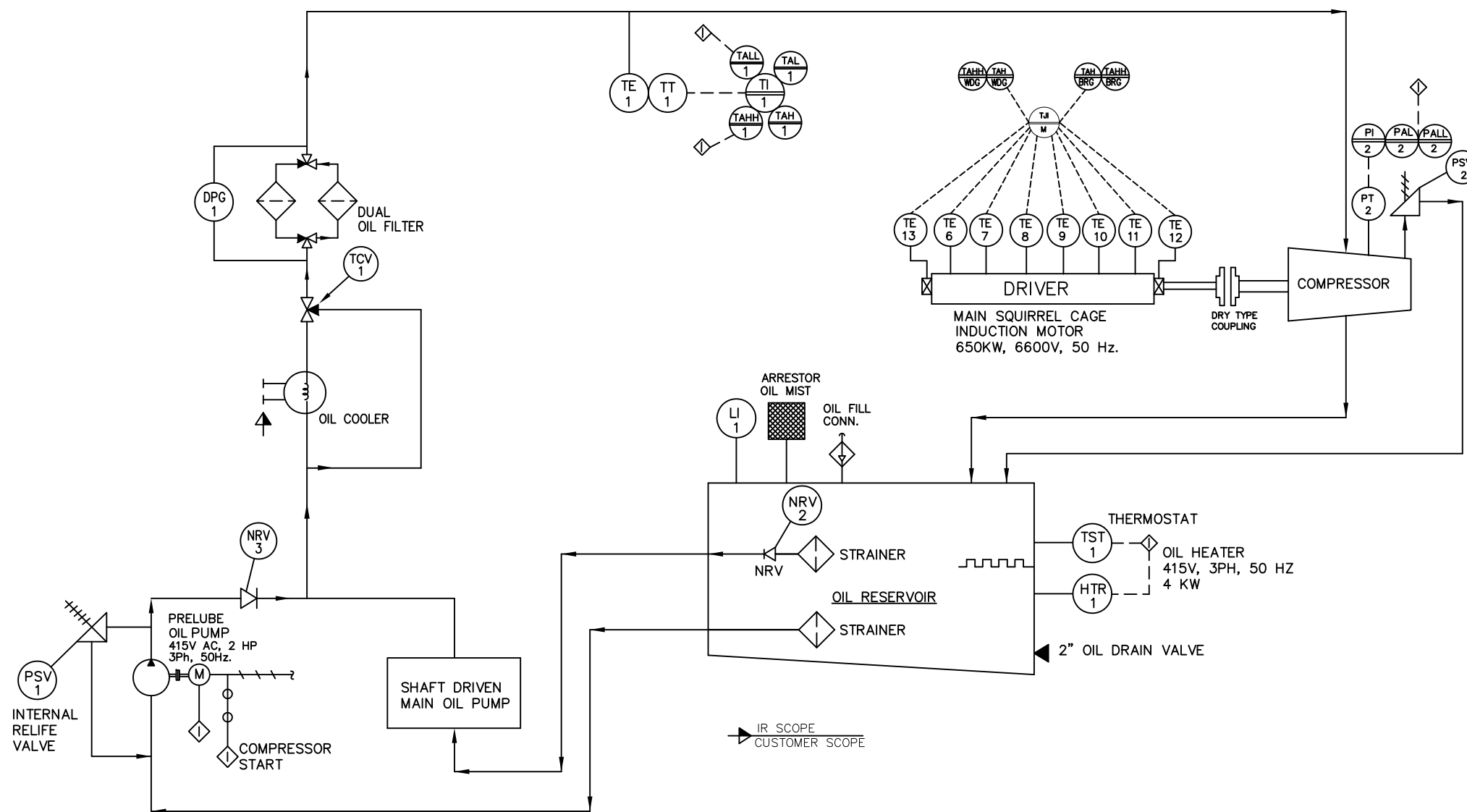


REVISIONS

REV	ECN	DESCRIPTION	DWN	APV	DATE
A	ENC04632	ORIGINAL RELEASE	PVS	DGP	13OCT11

	VICTAULIC JOINT
	EXPANSION JOINT
	LOCAL (FIELD)
	MAIN PANEL (FRONT)
	REAR OF MAIN PANEL
	DCS PART
	LUBE OIL LINE
	COOLING WATER LINE
	AIR LINE
	ELECTRIC LINE
	PNEUMATIC LINE
	SUCTION MANOMETER
	FLANGE CONNECTION
	CONDENSATE TRAP
	FILTER / STRAINER
	COOLER
	IV INLET VALVE
	PA POWER AIR
	SA SEAL AIR
	CA CONTROL AIR
	PSV PRESS. SAFETY VALVE
	VIBRATION PROBE
	GLOBE VALVE
	GATE VALVE
	BALL VALVE
	IR SCOPE CUST. SCOPE
	INTER LOCK
	INLET GUIDE VANES WITH POSITIONER

LEGENDS



- NOTES :
- ITEMS MARKED * ARE SUPPLIED BY INGERSOLL-RAND COMPANY BUT ARE SHIPPED LOOSE FOR MOUNTING BY CUSTOMER/ CONTRACTOR

COPYRIGHT © 2001 INGERSOLL-RAND COMPANY ALL RIGHTS RESERVED		WARNING: THE EXPORT OR REEXPORT OF THIS DRAWING OR A PRODUCT PRODUCED BY THIS DRAWING IS SUBJECT TO U.S. EXPORT ADMINISTRATION REGULATIONS AND OTHER APPLICABLE GOVERNMENTAL RESTRICTIONS OR REGULATIONS.		MICROFILM BLOWBACK SCALE 0 1 in		THIRD ANGLE PROJECTION 					
DRAWING CONFORMS TO ASME Y14.5M - 1994		PROPRIETARY NOTICE		DRAWN PVS		DATE 13OCT11					
THIS DOCUMENT CONTAINS CONFIDENTIAL AND TRADE SECRET INFORMATION, IS THE PROPERTY OF INGERSOLL-RAND COMPANY, AND IS GIVEN TO THE RECEIVER IN CONFIDENCE. THE RECEIVER BY RECEPTION AND RETENTION OF THE DOCUMENT ACCEPTS THE DOCUMENT IN CONFIDENCE AND AGREES THAT, EXCEPT AS AUTHORIZED IN WRITING BY INGERSOLL-RAND COMPANY, IT WILL (1) NOT USE THE DOCUMENT OR ANY COPY THEREOF OR THE CONFIDENTIAL OR TRADE SECRET INFORMATION THEREIN; (2) NOT COPY THE DOCUMENT; (3) NOT DISCLOSE TO OTHERS EITHER THE DOCUMENT OR THE CONFIDENTIAL OR TRADE SECRET INFORMATION THEREIN; AND (4) UPON COMPLETION OF THE NEED TO RETAIN THE DOCUMENT, OR UPON DEMAND, RETURN THE DOCUMENT, ALL COPIES THEREOF, AND ALL MATERIAL COPIED THEREFROM.		CHECKED PVS		DATE 13OCT11		TITLE P & I DIAGRAM [AIR/WATER SYSTEM & LUB OIL SYSTEM]					
		APPRVD DGP		DATE 13OCT11							
		CHG. NOS. 42, 99		SCALE DNA		SIZE B		ECN ENC04632		DWG NO. 17441866	
		FSCM 6R484		WT.		UNIT		REV A		SHEET 2 OF 2	